



prolite

we make your movies better

User Manual

Prolite LED-144VC

Prolite LED-312VC

Prolite LED-144VC and LED-312VC bi-color video lights

Prolite LED lights are convenient video light source for on-camera and stand-alone work. High power LEDs with high Color Rednering Index (CRI) makes them highly recommended to work on-location or in low-light environment.

Adjustable brightness and smooth color temperature from 3200-5600K ("VC" versions only) allows to use them in versatile works.

Powered with popular NP-F 550 batteries together with highly efficient power-supply module achieve long operating time and lightness.

Technical specification

Table 1

Model	144SC	144VC	312SC	312VC
Number of LEDs	144 (high CRI)		312 (high CRI)	
Brightness	2354 lx/50 cm		6580 lx/50cm	
Brightness control	Smooth, flicker-free from 10 to 100%			
Light beam	120°			
Color temperature	5600 ± 300K	3200 - 5600K	5600 ± 300K	3200 - 5600K
Operating time	~120 minutes		~100 minutes	
Nominal power	8.64W		18.72W	
Power supply voltage	DC 7.4 - 14.8V			
Battery type	NP-F550 - 7.4V, 2200mAh (standard)			
Dimensions (LWH)	13.5 x 8.5 x 3.5cm		19 x 11.5 x 3.5cm	
Weight	200g		350g	
Package contents	NP-F 550 battery with single-socket charger		2 x NP-F550 batteries with two-socket charger	
	Neutral white diffuser, car powecable for charger, mini ball head, carrying bag			

For your safety and warranty:

Warnings:

To avoid fire, electric shock or damage of the device:
Do not expose to rain, moisture, high temperatures, and protect it from flooding and splashing. Do not put any objects on the device. Do not disassemble or heat the battery above 60°C, do not dispose of in fire as this may cause fire, rupture or severe burns. Do not cover ventilation gaps when operating.

Warranty conditions:

- 12-month warranty, from the date of purchase, is available on the Prolite LED lights
- During the warranty term, the manufacturer will ensure service coverage only to those defects which do not result from the misuse of the device. Defects on the user's fault are excluded from the warranty.
- Prolite assumes no responsibility for changes in the device made by the user or servicing by an unauthorised service. In this case, the responsibility for the damage resulting from interfering with the device, rests with the servicemen concerned.
- The warranty is valid if the product is used in the conditions and purpose it is designed for.
- Use only genuine PROLITE accessories.

Product storage:

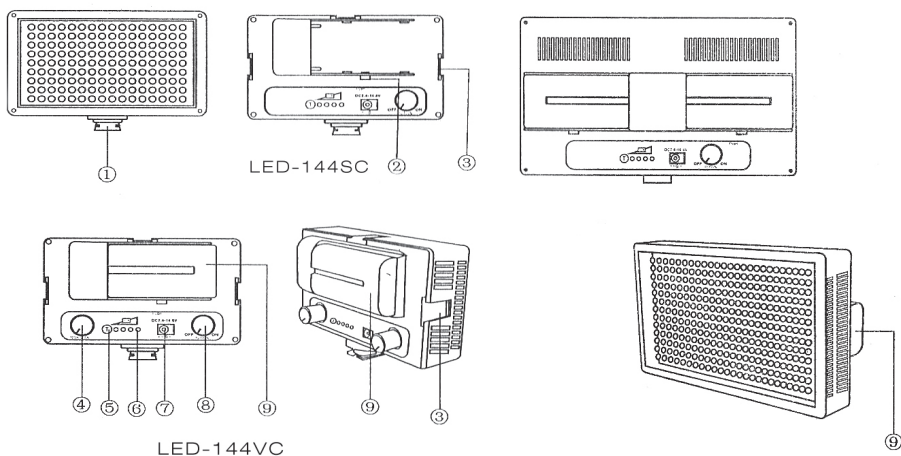
Store the device only in dry conditions, properly protected against damage. Use only a dry and soft cloth for cleaning. The use of detergents, water, solvents etc. is prohibited.

Power supply and batteries:

Use only original, high quality 7.4 V NP-F batteries to ensure proper operation of the device. The use of third-party batteries could interfere with the operation or damage the light and void your warranty.

To prevent malfunction, charge the battery at least one time per month if LED light is not used frequently.

Getting to know Prolite LED lights



1. Hot-shoe adapter with 1/4" thread
2. NP-F battery unlock button
3. Connection socket for another Prolite LED-144VC lights
4. Color temperature control knob
5. Battery level test button
6. Battery level indicator
7. DC 2.1 power-in socket (7.4 - 14.8V)
8. Turn off/on and brightness control knob
9. NP-F battery socket with NP-F550 battery

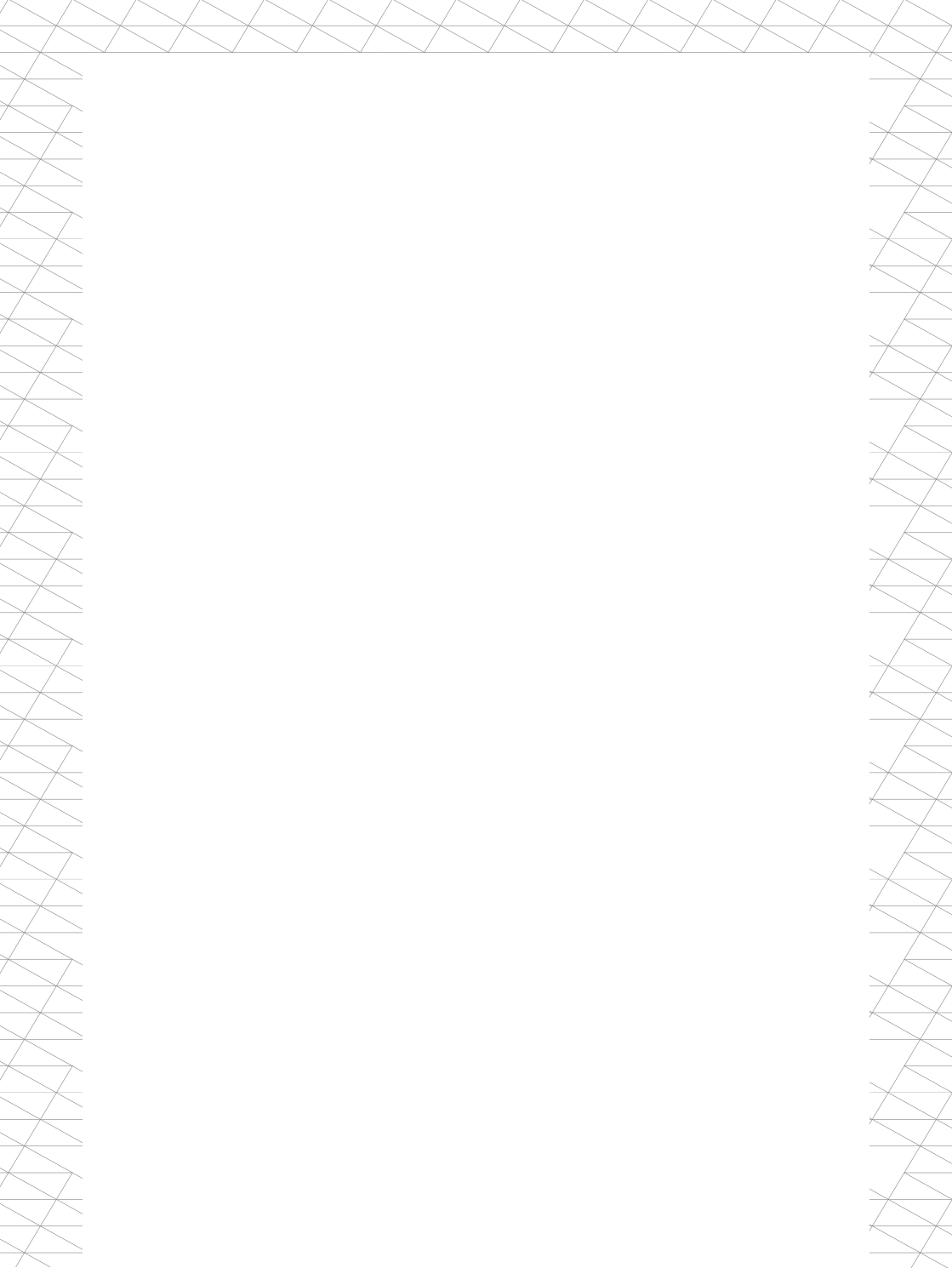
Starting work:

- Install NP-F battery in the battery socket
 - Mount the LED light on desired place - camera hot-shoe, DSLR rig, etc.
 - Turn on the light with brightness control knob (8) and set desired brightness level
 - Simply you are ready to work now :)
-
- Use battery level test button (5) to control the battery level if you are running at full power for long operating time.
Standard NP-F 550 battery lasts about 120 minutes with Prolite LED-144VC (see **Table 1**).
-
- Battery level indicator (6) can show 4 charge levels:

● ● ● ●	75 - 100%
● ● ● ○	50 - 75%
● ● ○ ○	25 - 50%
● ○ ○ ○	25% or less

Note

You can use higher capacity NP-F batteries (like NP-F 750/770 or NP-F 960/970) to achieve longer operating time. However, we don't recommend it if you are not running at full power all the time - Prolite LED-144VC can work up to 72 hours on a single and lightweight NP-F550 battery.





prolite
we make your movies better

PROLITE
ul. 1 Maja 33
42-290 Blachownia

www.studyjne.com
info@studyjne.com
+48 606 608 206

EC DECLARATION OF CONFORMITY

We declare under our full responsibility that the product



conforms with the essential requirements of the following directives:

Directive 2004/108/EC of the European Parliament and of the Council of December 15, 2004 on the electromagnetic compatibility (EMC)

The product conforms with the following standards:

EN 55015:2006+A1:2007+A2:2009
EN 61000-3-2:2006
EN 61000-3-3:1995+A1:2001+A2:2005
EN 61547:2009-08

and therefore complies with essential requirements and provisions of the EMC Directive.

Jakub Szczygieł
Blachownia date. 12.07.2010

"Pursuant to the provisions of the Act of 29 July 2005 on WEEE, it is prohibited to dispose of, together with other waste, used equipment marked with the crossed out wheeled bin symbol. A user dispose of electronic or electrical equipment is obliged to take it to the collection point for used equipment.

The above statutory obligations have been introduced to reduce the amount of waste produced from waste electrical and electronic equipment and to ensure an appropriate level of collection, recovery and recycling. The equipment contains no hazardous components which might have a particularly negative impact on the environment and human health."

